



"SERIES 500"

LIFT & PUMPING STATIONS



"SERIES 500"

by **IPEC** Global, Inc.

Complete Pre-Packaged Systems For:

- Transfer of Dilute Acids & Alkaline Waste Water to Treatment Systems.
- Fully Segregated Systems For Multiple Waste Streams.
- Suitable for Most In-Organic Waste Streams.
- Transfer Rates Up To 100 GPM @ 20' Head

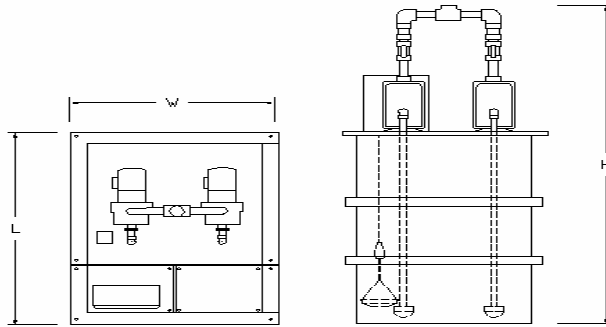
NOTE: Not for use with solvents or petroleum based products.

STANDARD FEATURES

- PUMPING RATES UP TO 100 GPM @ 20' HEAD.
- FULLY AUTOMATIC, INDUSTRIAL QUALITY CONTROL PANELS, MOUNTED IN WEATHER-TIGHT NEMA 4X ENCLOSURES.
- SUPPLIED WITH RELIABLE CORROSION-RESISTANT CENTRIFUGAL PUMPS WITH *POLYGLAS* BODIES AND IMPELLERS.
- CONSTRUCTED FROM CHEMICALLY RESISTANT POLYPROPYLENE FOR SUPERIOR CHEMICAL RESISTANCE.
- SYSTEMS ARE FULLY INTEGRATED UNITS, READY TO OPERATE.
- UNIQUE MODULAR DESIGN ALLOWS FOR SIMPLE EXPANSION OF SYSTEM AS PROCESS DEMAND INCREASES.

IPEC Global, Inc.

**SERIES 500
LIFT & PUMPING STATIONS
SPECIFICATIONS**



MODEL NO. CAPACITY	PUMP RATE	MOTOR SIZE	MAX- LIFT	INLET/ OUTLET	DIMENSIONS	TANK CAPACITY	ELECTRICAL
500 - 50A	0-50 GPM	1/2 HP	10' ^l	1-1/2"	45" x 34" x 48"	250 gals	120 VAC, 60 HZ 240 VAC, 1 PH
500 - 70B	0-70 GPM	3/4 HP	10' ^l	2"	45" x 34" x 48"	250 gals	120 VAC, 60 HZ 240 VAC, 1 PH
500 - 80C	0-80 GPM	1 HP	10' ^l	2"	45" x 34" x 48"	250 gals	120 VAC, 60 HZ 240 VAC, 1 PH
500 - 90D	0-90 GPM	1 1/4 HP	20' ^l	2"	45" x 34" x 48"	250 gals	120 VAC, 60 HZ 240 VAC, 1 PH
500 - 100E	0-100 GPM	2 HP	20' ^l	2"	45" x 34" x 48"	250 gals	120 VAC, 60 HZ 240 VAC, 1 PH

Bulletin Number: 500-0502

IPEC Global, Inc.

1285 N. Fitzgerald Ave. Unit J
Rialto, CA 92376

PH: (909) 421-9960
FAX: (909) 421-8095

sales@ipecglobal.com
www.ipecglobal.com

Are You Building?

- Wastewater Treatment Systems
- Metal Finishing Lines
- Electro/Plating or Anodizing

Visit our Website and ONLINE Store for
hundreds of products and Ideas

www.ipecglobal.com