



## "SERIES 3100"

### **INCLINED PLATE CLARIFIERS**



## "SERIES 3100"

by **IPEC** Global, Inc.

#### **Complete Pre-Packaged Systems For:**

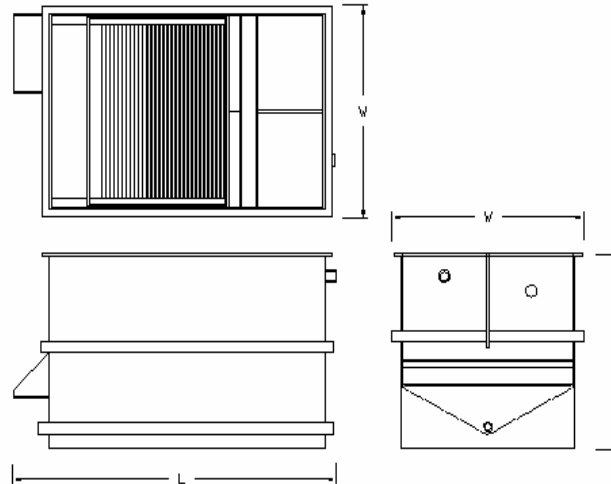
- Clarification of Waste Streams
- Chemical Processing
- Settling of Precipitates

## **STANDARD FEATURES**

- .5 -10 GPM CAPACITY.
- SYSTEMS ARE FULLY INTEGRATED UNITS, SHIPPED READY TO OPERATE.
- CONSTRUCTED FROM CHEMICAL RESISTANT, 1/2" WELDED POLYPROPYLENE.
- HIGH QUALITY SETTLING CHAMBER FOR BETTER SOLIDS SEPERATION.
- CONE BOTTOM FOR INCREASED SLUDGE RETENTION.
- UNIQUE 50 MICRON POLISHING SCREEN TO REMOVE FLOATING SOLIDS.
- VARIABLE SPEED MIXER FOR PRE-CISE POLYMER ACTIVATION.
- SOLID POLYPROPYLENE SETTLING PLATES & PACK ASSEMBLY FOR EASY CLEANING AND INSPECTION.

**IPEC** Global, Inc.

**SERIES 3100  
INCLINED PLATE CLARIFIERS  
SPECIFICATIONS**



**System Specifications**

MODEL NUMBER	DESIGN FLOW RATE	RETENTION @ MAX FLOW RATE	TOTAL PLATE AREA	PLATE AREA PER/GPM	DIMENSIONS W x L x D	TANK CAPACITY
3100-10 P	0-10 GPM	50 min	1.20 sq. ft.	12 sq. ft.	48" x 84" x 48"	740 gals
3100-15 P	0-15 GPM	50 min	200 sq. ft.	14 sq. ft.	48" x 96" x 48"	860 gals

**NOTE:** SPECIFICATIONS SUBJECT TO CHANGE WITHOUT NOTICE.

Bulletin Number: 3100-0502

**IPEC** Global, Inc.

1285 N. Fitzgerald Ave. Unit J  
Rialto, CA 92376

PH: (909) 421-9960  
FAX: (909) 421-8095

sales@ipecglobal.com  
[www.ipecglobal.com](http://www.ipecglobal.com)

**Are You Building?**

- Wastewater Treatment Systems
- Metal Finishing Lines
- Electro/Plating or Anodizing

Visit our Website and ONLINE Store for  
hundreds of products and Ideas

[www.ipecglobal.com](http://www.ipecglobal.com)